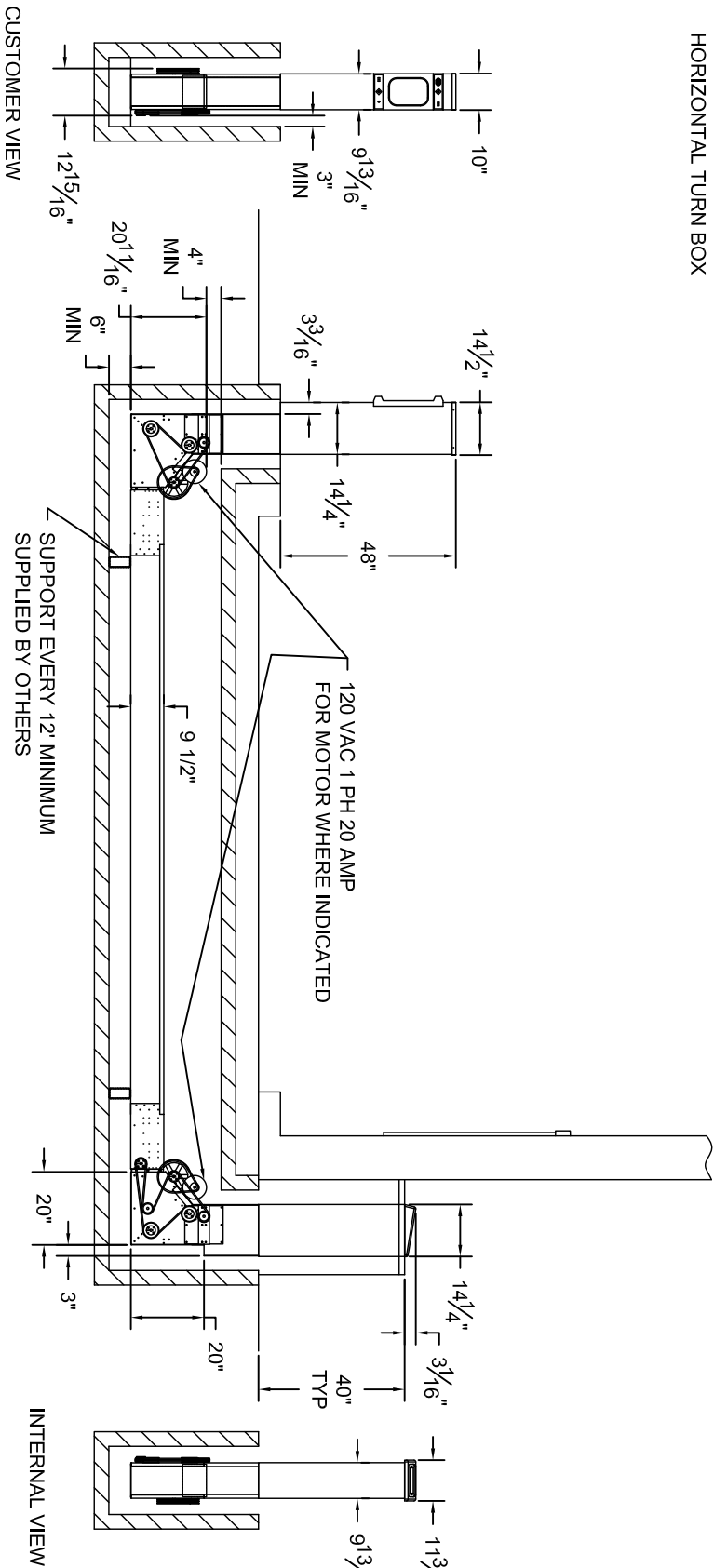
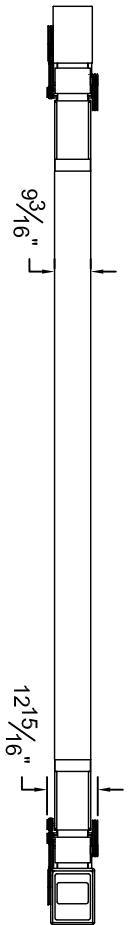


HORIZONTAL TURN BOX



PLEASE NOTE ALL AUTOVEYORS REQUIRE APPROVED
SITE DIMENSIONS PROVIDED BY OTHERS
PRIOR TO PRODUCTION

MODEL NO.
02300993

PROPRIETARY

THIS DOCUMENTATION AND INFORMATION CONTAINED ARE THE SOLE PROPERTY OF E.F. BAVIS & ASSOC., INC. IT SHALL BE RETURNED UPON REQUEST AND SHALL NOT BE REPRODUCED IN WHOLE OR IN PART, OR DISCLOSED TO ANYONE ELSE, OR USED, WITHOUT WRITTEN CONSENT OF E.F. BAVIS & ASSOC., INC.

E.F. BAVIS & ASSOCIATES INC.
201 GRANDIN RD.
MAINEVILLE, OH 45039
T: 513-677-0500 F: 513-677-0562 E: info@efbavis.com www.efbavis.com

REVISED	11/26/08	DRAWN	B.PRINCE	SIZE	A	DRAWING NO.	02300993	DNSND	SHEET	1	OF	1
DIMENSIONS ARE IN INCHES UNLESS OTHERWISE SPECIFIED												
AUTOVEYOR 3000 HD DOWNSEND TYPICAL												